



**Vibra Screw Inc.**

755 Union Boulevard, Totowa, New Jersey 07511 • Telex 685-3382 • FAX (201) 256-7567 • (201) 256-7410

# BAG UNLOADER FACTS

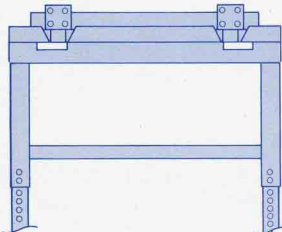
001

## Heavy Duty Construction –

*Designed for safety and long life in the toughest working environments*

Vibra Screw's Bulk Bag Unloader is built rock-steady to safely handle bags up to 4000 lbs. Its components are field-proven for years of operation with minimal maintenance.

For standard units without crane, bag lift adaptor with fork lift channels rests safely on unloader frame.



Crane and trolley (both optional) are mounted on a rugged I-beam with safety stops.

Rugged steel tubular construction.

Heavy-duty bag lift adaptor with bag safety clips.

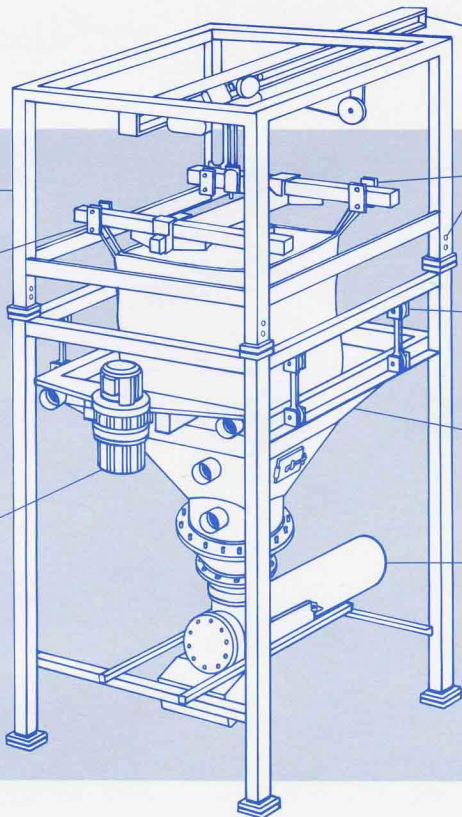
Patented Gyrator (vibrated model) is oil-cooled and lubricated. Guaranteed for 20,000 hours of maintenance-free service.

Bag supports are adjustable for various bag sizes.

Forged steel hangers (vibrated model) with integral vibration isolators are rated for 80,000 lbs each and isolate 98% vibration from the surrounding structure.

Two-slope support cone permits bag to be safely and completely seated before opening.

Variety of feed devices available for accurate regulation of discharge.

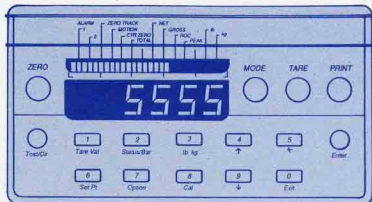




# BAG UNLOADER FACTS

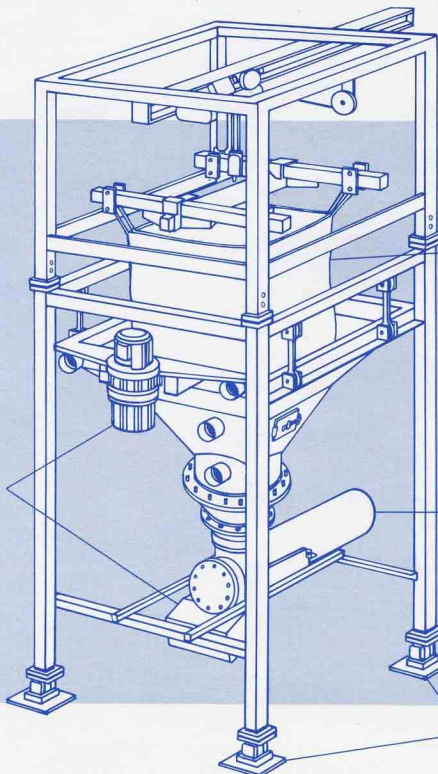
## Batch Weighing – For precise control of bag unloading

Vibra Screw offers complete weight control of the unloading process. Use it for inventory monitoring of contents or for accurate batch emptying of pre-set quantities. Bag unloaders can be teamed with one of several Vibra Screw feeders for additionally controlling accuracy and rate of discharge.



### Weight Controller

- High visibility, stable display
- Auto taring for drift-free operation
- Auto calculation of net and gross weight
- Remote control via RS-232-C/20 MA current loop or optional RS485 port.
- Remote or local mounting of controls.



Accurately discharge bags up to 4000 lbs capacity.

Dynamic braking of motors for smooth batch cut-off.

Variety of feed devices available for accurate regulation of discharge.

Rugged, accurate, high capacity load cells.

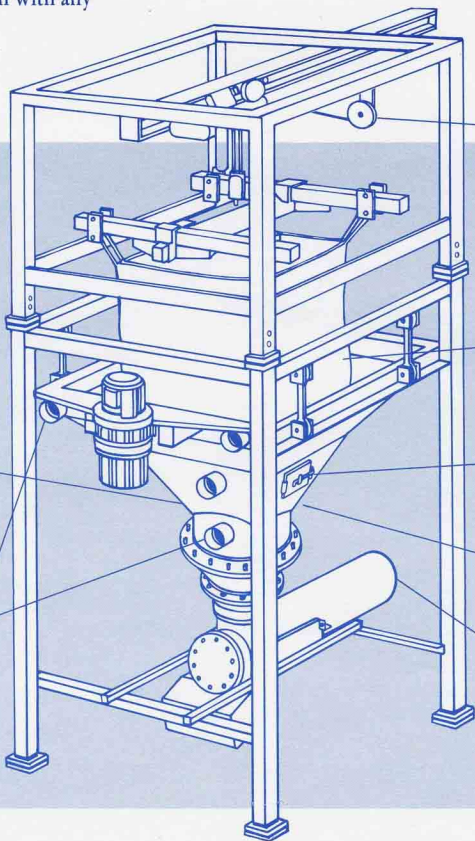


## BAG UNLOADER FACTS

003

### *Dust Control – Not an option or after thought*

Vibra Screw engineers considered dust control a principal objective in their design. As a result you can expect better protection from dust than with any other device.



Inner liner retractor holds liner and prevents it from falling into downstream equipment.

Bulk Bags rest dust-tight on the specially designed support platform.

Operator opens the bag through gasketed 12 x 12 inch access doors in the lower hopper.

Bag slitter available for one-way bags.

Dust-tight feeders available for flow regulation.

Bag spout either extends down through unloader outlet or clamps to optional downspout.

Dust collector surrounds and captures dust from upper bag and at outlet during bag opening. Optional empty bag dust collector available.



**Vibra Screw Inc.**

755 Union Boulevard, Totowa, New Jersey 07511 • Telex 685-3382 • FAX (201) 256-7567 • (201) 256-7410

# BAG UNLOADER FACTS

004

## *Sorbent Supply for Flue Gas Treatment - Compact Package for Powdered Activated Carbon and Other Sorbents*

*A Complete Supply System for Waste Incineration*

Vibra Screw's Sorbent Supply Packages are complete, from the unloading of bulk supply bags up to 4000 pounds to the inventory control and final injection of the finely powdered material into stack scrubber systems. Standard packages are tailored to each installation and offer operator safety and dust-free operation.

